

ROTARY UNION

300 SERIES

SMALL ENVELOPE - GENERAL PURPOSE



Operating Parameters

MEDIA	PRESSURE*
Air, Water	117 psi
TEMPERATURE*	SPEED*
250° F	3,500 RPM
THREADS	MATERIAL
<ul style="list-style-type: none"> • 1/8 inch to 1/4 inch NPT • Machine Thread • BSP & BSPP Available 	Nickel Plated Steel

* See Performance Charts for details

FEATURES & BENEFITS

High Speed Air and Water Applications

- Ideal for high speed air and water applications with space constraints.

Corrosion Resistant

- All steel parts are nickel plated steel for corrosion resistance.

Small Profile

- Small envelope dimensions make the 300 Series suitable for use in applications with space constraints.

Part Numbers - 300 Series Rotary Unions

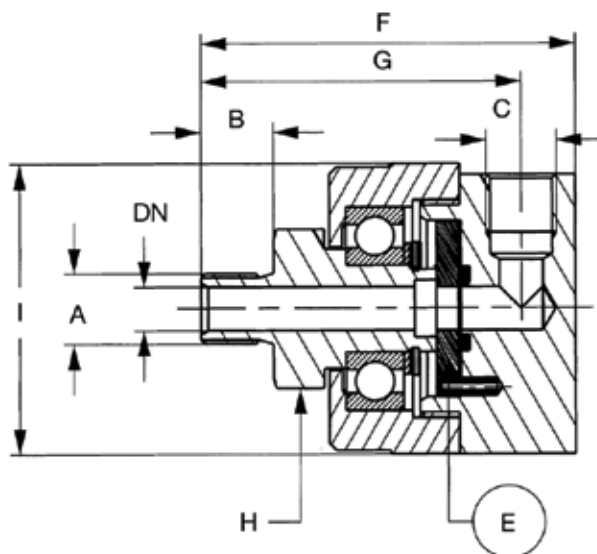
Shaft Thread (A)	Right Hand Thread		Left Hand Thread	
	Part Number	Description	Part Number	Description
1/8 NPT	770359C	R3S3747KNPT	770358C	L3S3747KNPT
1/4 NPT	770357C	R3S2086KNPT	770356C	L3S2086KNPT
5/8-18 UNF	770361C	R3S3862KUNF	770360C	L3S3862KUNF

*E (Seal) 731271C

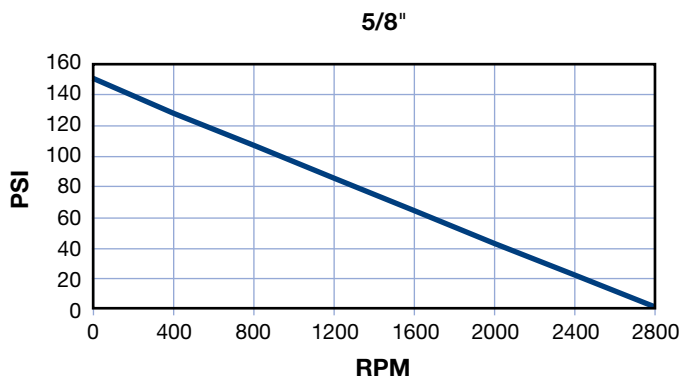
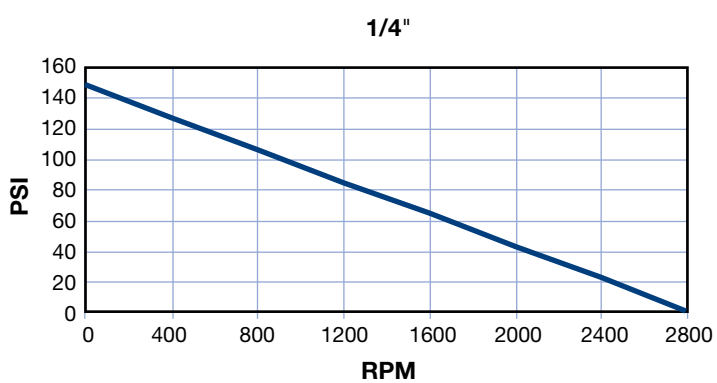
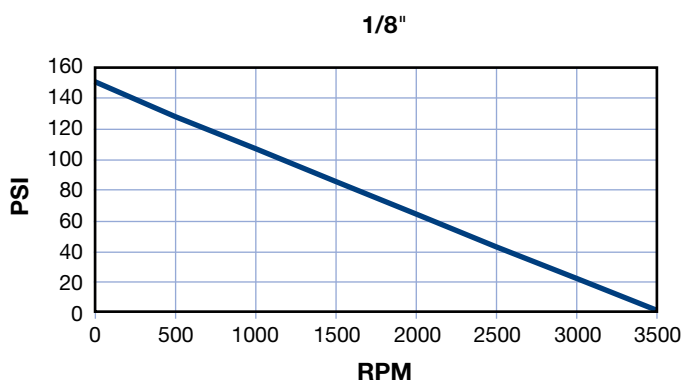
Dimensions - 300 Series Rotary Unions (inch)

Shaft Thread (A)	B	Inlet C (NPT)	DN	F	G	H	I
1/8 NPT	0.4	1/8 (RH)	0.15	2	1.7	.75	1.5
1/4 NPT	0.5		0.23				
5/8-18 UNF	0.4		0.23				

*E (Seal) 731271C



Performance Charts



Air & Water