

ROTARY UNION

805 SERIES

GENERAL PURPOSE



Operating Parameters	
MEDIA	PRESSURE*
Air, Hydraulic Fluid, Water, Non-Toxic Gasses, Oil	435 psi (725 psi with seal option E2)
TEMPERATURE*	SPEED*
350° F	5,000 RPM
THREADS	MATERIAL
<ul style="list-style-type: none"> • 1/4 inch to 1 inch NPT • MT & Metric • BSP & BSPP Available 	Aluminum housing with a stainless steel shaft. Also available in all stainless steel construction
CONFIGURATION OPTIONS	
Mono Flow and Dual Flow configurations available	

* See Performance Charts for details

FEATURES & BENEFITS

Flexible

- Suitable for a wide range of applications.

Mono Flow Models

- Offered in sizes 1/4" to 1".

Dual Flow Models

- Offered in sizes 1/2" to 1".

Seal Options Two seal options are offered:

- **Seal Option E1 (Standard)**
The carbon graphite seal ring against ceramic face ring design can be used at pressures up to 435 psi.
- **Seal Option E2 (Optional)**
The stainless steel seal ring against ceramic face ring design can be used at pressures up to 725 psi.

Part Numbers - 805 Series Rotary Union • Mono Flow

Nominal Pipe Size	Shaft Thread (A)	Right Hand		Left Hand	
		Part Number	Description	Part Number	Description
1/4	1/4 NPT	760150C	R813SR5NPT	760155C	L813SR5NPT
	1/4 BSP	760152C	R813SR5BSP	760157C	L813SR5BSP
	1/4 BSPP	760153C	R813SR5BSPP	760158C	L813SR5BSPP
	5/8-18 UNF	760151C	R813SR5UNF	760156C	L813SR5UNF
	M14xP1.5	760154C	R813SR5M	760159C	L813SR5M
3/8	3/8 NPT	760170C	R817SR5NPT	760175C	L817SR5NPT
	3/8 BSP	760172C	R817SR5BSP	760177C	L817SR5BSP
	3/8 BSPP	760173C	R817SR5BSPP	760178C	L817SR5BSPP
	5/8-18 UNF	760171C	R817SR5UNF	760176C	L817SR5UNF
	M16xP1.5	760174C	R817SR5M	760179C	L817SR5M
1/2	1/2 NPT	760190C	R821SR5NPT	760195C	L821SR5NPT
	1/2 BSP	760192C	R821SR5BSP	760197C	L821SR5BSP
	1/2 BSPP	760193C	R821SR5BSPP	760198C	L821SR5BSPP
	3/4-16 UNF	760191C	R821SR5UNF	760196C	L821SR5UNF
	M22xP1.5	760194C	R821SR5M	760199C	L821SR5M
3/4	3/4 NPT	760210C	R827SR5NPT	760215C	L827SR5NPT
	3/4 BSP	760212C	R827SR5BSP	760217C	L827SR5BSP
	3/4 BSPP	760213C	R827SR5BSPP	760218C	L827SR5BSPP
	1-1/16-12 UNF	760211C	R827SR5UNF	760216C	L827SR5UNF
	M25xP1.5	760214C	R827SR5M	760219C	L827SR5M
1	1 NPT	760230C	R834SR5NPT	760235C	L834SR5NPT
	1 BSP	760232C	R834SR5BSP	760237C	L834SR5BSP
	1 BSPP	760233C	R834SR5BSPP	760238C	L834SR5BSPP
	1-1/2-12 UNF	760231C	R834SR5UNF	760236C	L834SR5UNF
	M35xP1.5	760234C	R834SR5M	760239C	L834SR5M

Part Numbers - 805 Series Rotary Union • Dual Flow

Nominal Pipe Size	Shaft Thread (A)	Right Hand Thread		Left Hand Thread	
		Part Number	Description	Part Number	Description
1/2	1/2 NPT	760250C	R921SR5NPT	760255C	L921SR5NPT
	1/2 BSP	760252C	R921SR5BSP	760257C	L921SR5BSP
	1/2 BSPP	760253C	R921SR5BSPP	760258C	L921SR5BSPP
	3/4-16 UNF	760251C	R921SR5UNF	760256C	L921SR5UNF
	M22xP1.5	760254C	R921SR5M	760259C	L921SR5M
3/4	3/4 NPT	760270C	R927SR5NPT	760275C	L927SR5NPT
	3/4 BSP	760272C	R927SR5BSP	760277C	L927SR5BSP
	3/4 BSPP	760273C	R927SR5BSPP	760278C	L927SR5BSPP
	1-1/16-12 UNF	760271C	R927SR5UNF	760276C	L927SR5UNF
	M25xP1.5	760274C	R927SR5M	760279C	L927SR5M
1	1 NPT	760290C	R934SR5NPT	760295C	L934SR5NPT
	1 BSP	760292C	R934SR5BSP	760297C	L934SR5BSP
	1 BSPP	760293C	R934SR5BSPP	760298C	L934SR5BSPP
	1-1/2-12 UNF	760291C	R934SR5UNF	760296C	L934SR5UNF
	M35xP1.5	760294C	R934SR5M	760299C	L934SR5M

ROTARY UNION

805 SERIES

GENERAL PURPOSE

Dimensions - 805 Series Rotary Union • Mono Flow (Inch)

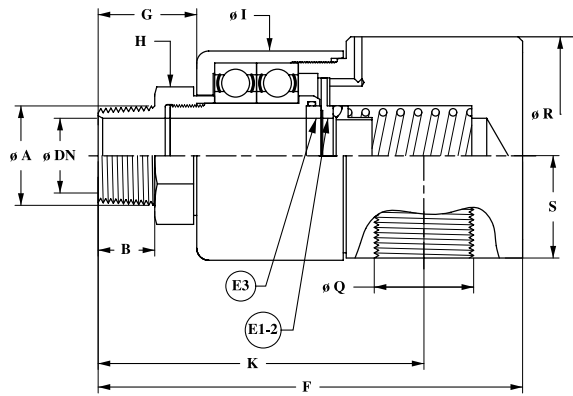
Nominal Pipe Size	Shaft Thread (A)	Inlet Thread (Q)*	Shaft Thread Length (B)	DN	F	G	H	I	K	R	S
1/4	1/4 NPT	NPT	.43	.31	3.14	.74	.86	1.49	2.55	1.73	.76
	1/4 BSP	BSP									
	1/4 BSPP	BSPP			3.34	.94			2.75		
	5/8-18 UNF	NPT									
	M14xP1.5	BSP									
3/8	3/8 NPT	NPT	.43	.39	3.42	.82	1.02	1.65	2.71	1.81	.78
	3/8 BSP	BSP									
	3/8 BSPP	BSPP			3.62	1.02			2.91		
	5/8-18 UNF	NPT									
	M16xP1.5	BSP									
1/2	1/2 NPT	NPT	.55	.55	4.17	.98	1.25	2.16	3.38	2.36	1.02
	1/2 BSP	BSP									
	1/2 BSPP	BSPP			4.37	1.18			3.58		
	3/4-16 UNF	NPT									
	M22xP1.5	BSP									
3/4	3/4 NPT	NPT	.62	.78	4.80	1.10	1.37	2.48	3.74	2.91	1.29
	3/4 BPS	BSP									
	3/4 BSPP	BSPP			5.19	1.49			4.13		
	1-1/16-12 UNF	NPT									
	M25xP1.5	BSP									
1	1 NPT	NPT	.74	.98	5.59	1.22	1.61	2.75	4.25	3.14	1.33
	1 BSP	BSP									
	1 BSPP	BSPP			5.98	1.61			4.64		
	1-1/2-12 UNF	NPT									
	M35xP1.5	BSP									

* All inlet threads are right hand threads

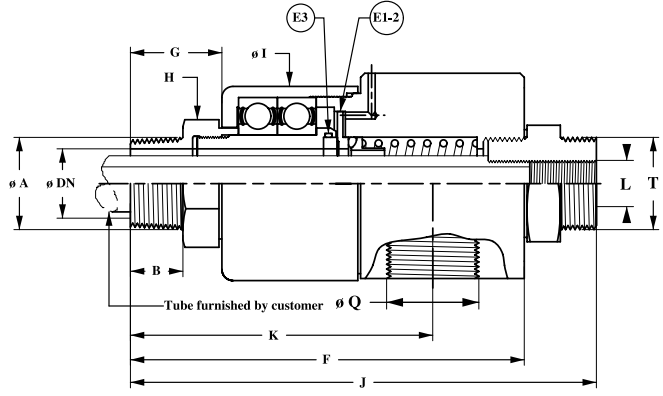
Dimensions - 805 Series Rotary Union • Dual Flow (Inch)

Nominal Pipe Size	Shaft Thread (A)	Inlet Thread (Q)*	Shaft Thread Length (B)	DN	F	G	H	I	J	K	L (NPT)	R	S	T (NPT)
1/2	1/2 NPT	NPT	.55	.55	4.17	.98	1.25	2.16	5.23	3.38	1/8	2.36	1.02	.50
	1/2 BSP	BSP												
	1/2 BSPP	BSPP			4.37	1.18			5.43	3.58				
	3/4-16 UNF	NPT												
	M22xP1.5	BSP												
3/4	3/4 NPT	NPT	.62	.78	4.80	1.10	1.37	2.48	5.94	3.74	1/4	2.91	1.29	.75
	3/4 BPS	BSP												
	3/4 BSPP	BSPP			5.19	1.49			6.33	4.13				
	1-1/16-12 UNF	NPT												
	M25xP1.5	BSP												
1	1 NPT	NPT	.74	.98	5.59	1.22	1.61	2.75	6.85	4.25	3/8	3.14	1.33	1
	1 BSP	BSP												
	1 BSPP	BSPP	.70		5.98	1.61			7.24	4.64				
	1-1/2-12 UNF	NPT												
	M35xP1.5	BSP												

* All inlet threads are right hand threads

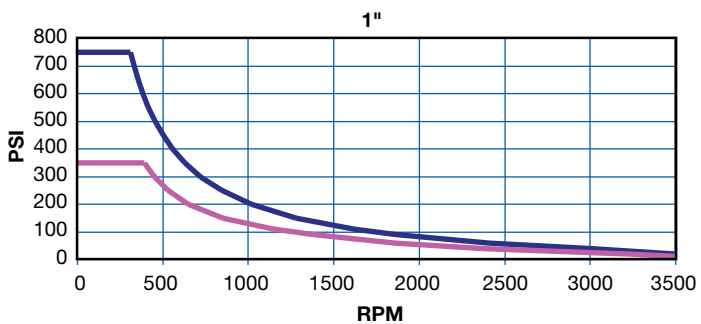
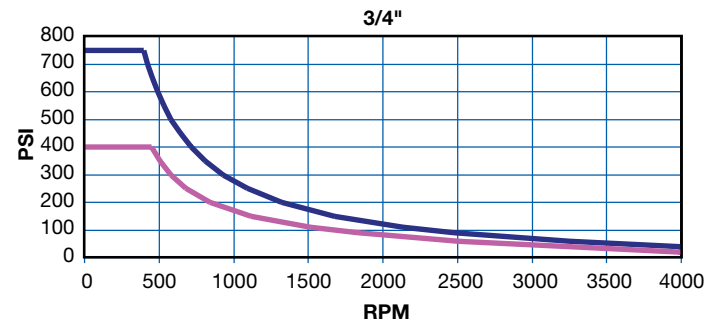
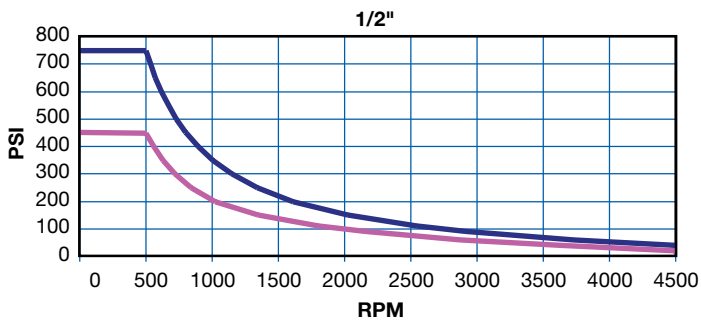
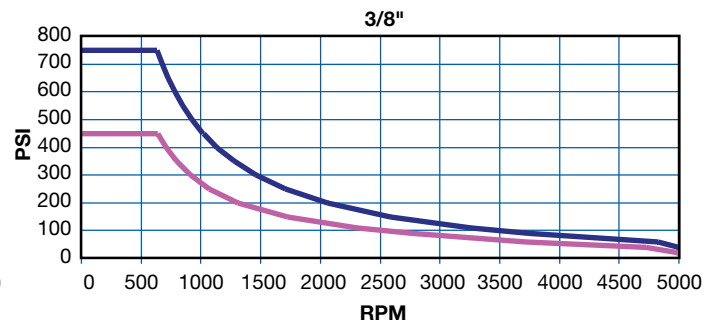
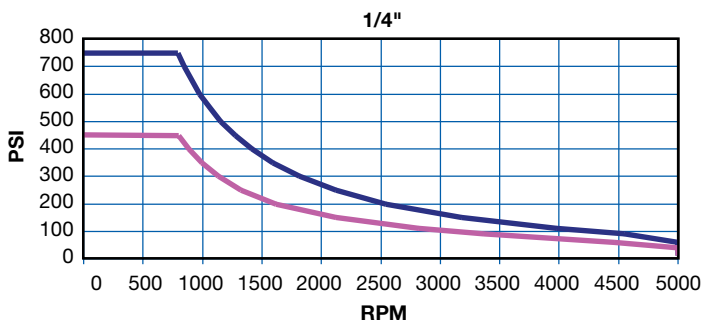


Mono Flow



Dual Flow

Performance Charts



■ Stainless Steel
■ Standard Materials