

# ROTARY UNION



PRODUCT BULLETIN

**DNRF SERIES**



Your **First** Choice  
For Fluid Transfer Solutions

# ROTARY UNION DNRFB SERIES

## The Duff-Norton DNRFB Series Rotary Union

Has been designed to provide a perfect solution to the need to position flange connected pipes (loading arms). Its simple design in nickel plated carbon steel (against corrosion) or in 316L stainless steel ensures reliable performance function in all conditions of weather and temperatures.

## Counter Flange Connection Kit

To facilitate the connection of the DNRFB Rotary Flange Duff-Norton can also supply connection kits for each flange.



## Maintenance

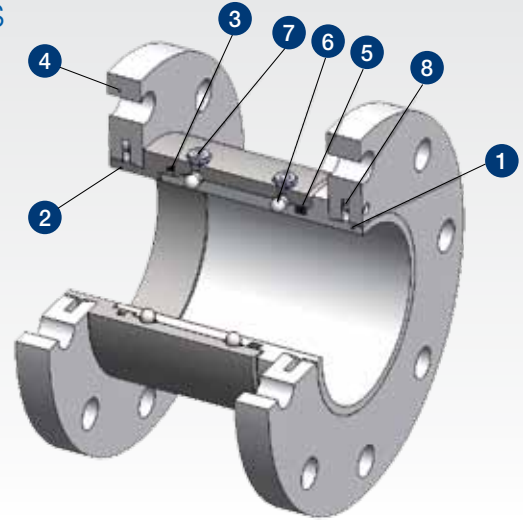
Maintenance kits are available and include the balls, rotary seal, O-Rings and screw.



9415 Pioneer Ave. • Charlotte, NC 28273  
Phone: (704) 588-4610 • (800) 477-5002  
Fax: (704) 588-1994  
Email: [Duffnorton@cmworks.com](mailto:Duffnorton@cmworks.com)

[www.duffnorton.com](http://www.duffnorton.com)

## DNRFB SERIES



	K	I
1 Rotor:	Carbon Steel	Stainless Steel
2 Stator:	Carbon Steel	Stainless Steel
3 Rotary Seal:	PTFE/FKM	PTFE/FKM
4 Connection Flange:	Stainless Steel	Stainless Steel
5 O-Ring:	FKM	FKM
6 Balls:	Stainless Steel	Stainless Steel
7 Grease fitting:	Stainless Steel	Stainless Steel
8 Screw:	Stainless Steel	Stainless Steel

## Part Numbers and Dimensions

	DNRFB50 K/I	DNRFB66 K/I	DNRFB80 K/I	DNRFB100 K/I	DNRFB125 K/I	DNRFB150 K/I
Nominal Diameter (mm)	50	60	75	100	120	150
Overall Length (mm)	150	150	150	150	150	150
Overall Diameter (mm)	165	185	200	220	250	285
Connections	DN50 PN10/ PN16	DN66 PN10/ PN16	DN80 PN10/ PN16	DN100 PN10/ PN16	DN125 PN10/ PN16	DN150 PN10/ PN16

On request, PN10/PN16 flanges can be replaced with any other standard or customized flange types

## Operating Parameters

ROTATION	TEMPERATURE	PRESSURE
Low or Swiveling	From -20°C up to +140°C	16 bars (PN 10/16)
FLUID	MATERIAL	
All fluid except steam and heat transfer fluids.	K-Models: Nickel Plated Carbon Steel I-Models: 316L Stainless Steel	