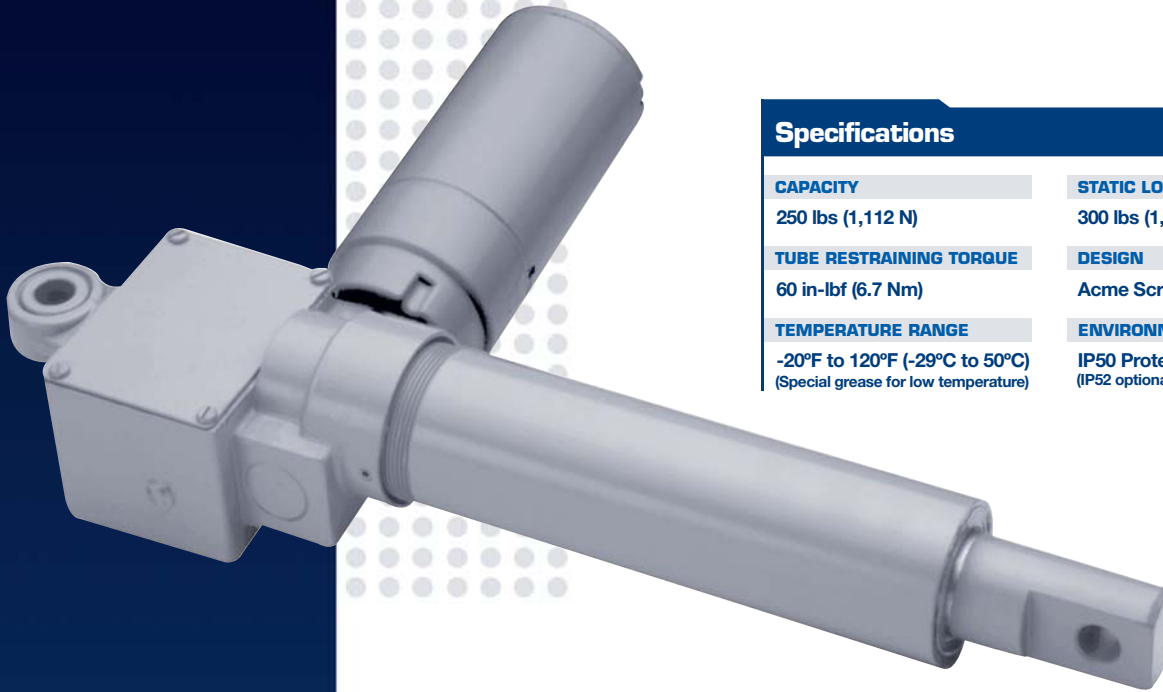


HMPD SERIES

With Limit Switch

250 lbs

1,112 N



Specifications

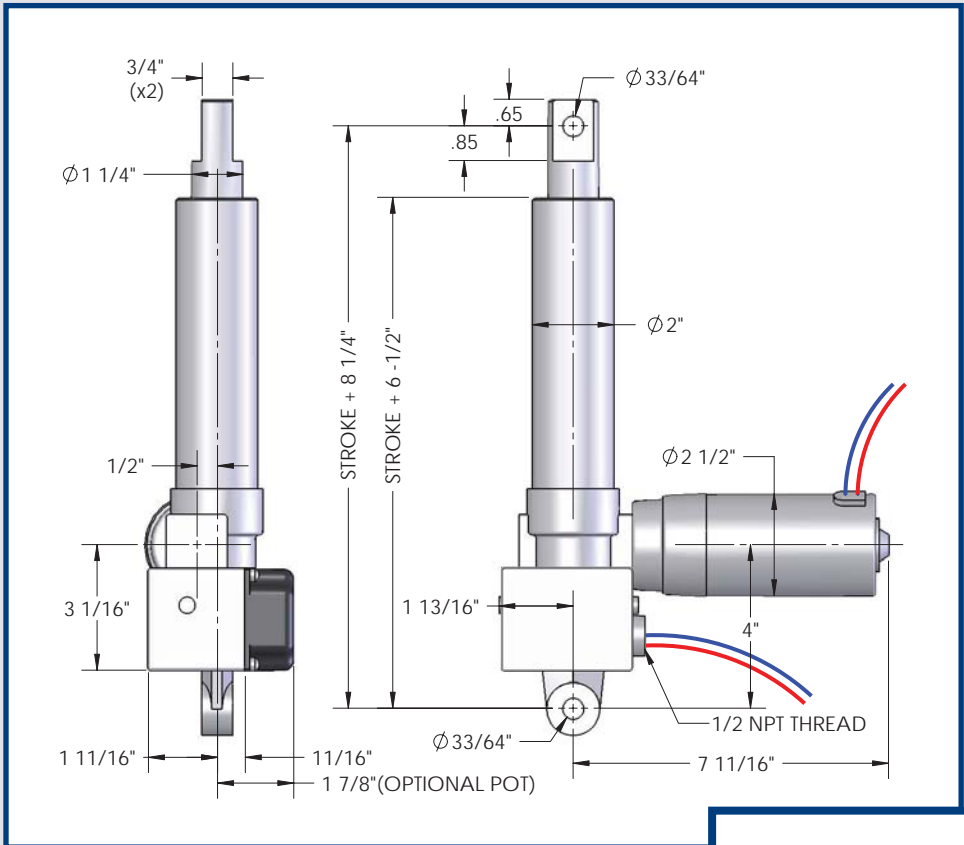
CAPACITY	STATIC LOAD
250 lbs (1,112 N)	300 lbs (1,332 N)
TUBE RESTRAINING TORQUE	DESIGN
60 in-lbf (6.7 Nm)	Acme Screw
TEMPERATURE RANGE	ENVIRONMENT
-20°F to 120°F (-29°C to 50°C) (Special grease for low temperature)	IP50 Protection standard (IP52 optional)

Features & Benefits

- Heavy duty design for long life in tough applications
- Aluminum housing and outer tube
- Steel translating tube – zinc chromate plated
- Double clevis mounting
- Spring Type Brake
- Internal adjustable limit switches
- Automatic reset thermal overload motor protection

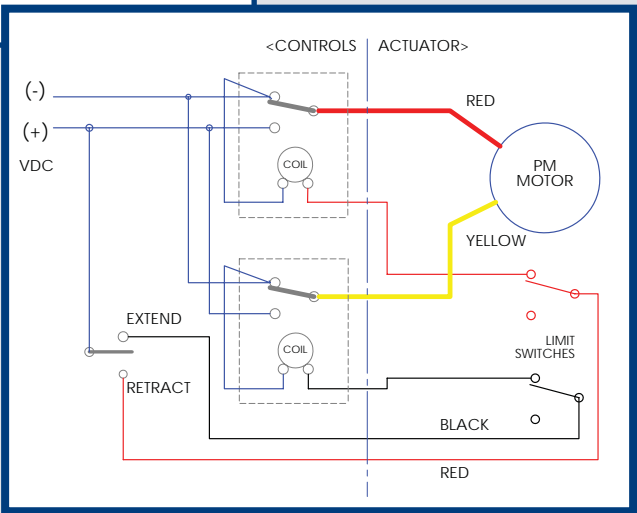
Options

- Potentiometer Feedback (add “P” prefi x)
- Weather Resistant Sealant –IP52 (add “W” prefi x)
- Bellows Boot



Note:

(2) relays are required for DC limit switch models



HMPD Linear Actuator with limit switch - 250 lb (1,112 N) Capacity																	
PRODUCT INFORMATION	Part Number		Rated Load		Stroke Length		Retracted Length		Voltage	Current Draw at Rated Load (A)	Speed at Rated Load		Limit Switch	Duty Cycle at Rated Load		Weight	
	lbs	N	in	mm	in	mm	in/s	mm/s			in/h	mm/h		lbs	N		
	HMPD3905-3	250	1,112	3	76	11.25	285	12Vdc	28	2	50	Yes	1,250	31,750	10	44.4	
HMPD3905-6	6			152	14.25	362	12								53.3		
HMPD3905-12	12			304	20.25	514	14								62.2		
HMPD3905-18	18			457	26.25	666	17								75.6		

HMPD SERIES

With Clutch

250 lbs

1,112 N



Specifications

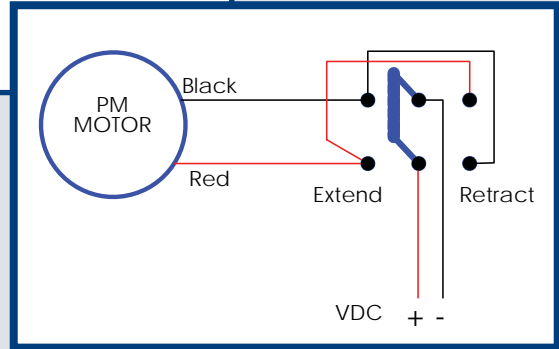
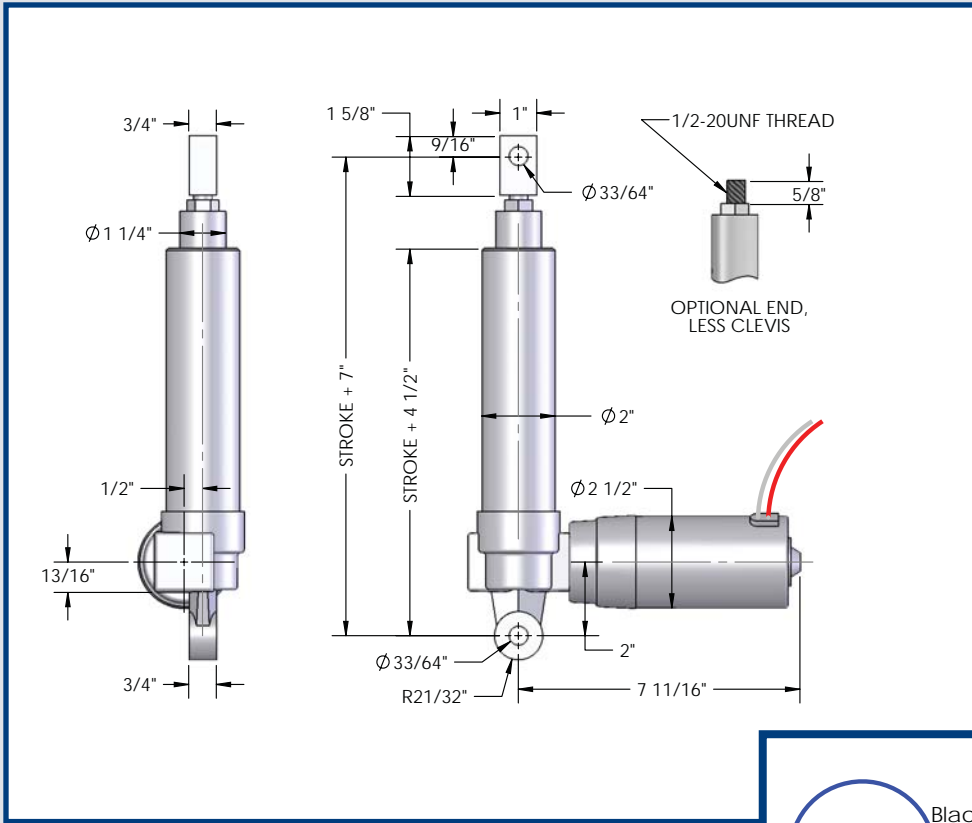
CAPACITY	STATIC LOAD
250 lbs (1,112 N)	300 lbs (1,332 N)
TUBE RESTRAINING TORQUE	DESIGN
60 in-lbf (6.7 Nm)	Acme Screw
TEMPERATURE RANGE	ENVIRONMENT
-20°F to 120°F (-29°C to 50°C) (Special grease for low temperature)	IP50 Protection standard (IP52 optional)

Features & Benefits

- Heavy duty design for long life in tough applications
- Aluminum housing and outer tube
- Steel translating tube – zinc chromate plated
- Double clevis mounting
- Patented Spring Type Brake
- Load limiting friction disc clutch
- Automatic reset thermal overload motor protection

Options

- Weather Resistant Sealant – IP52 (add “W” prefi x)
- Bellows Boot
- 90 degree housing clevis mounting
- Threaded end (add “T” prefi x)



PRODUCT INFORMATION

HMPD Linear Actuator with Clutch - 250 lb (1,112 N) Capacity

Part Number	Rated Load		Stroke Length		Retracted Length		Voltage	Current Draw at Rated Load (A)	Speed at Rated Load		Duty Cycle at Rated Load		Weight	
	lbs	N	in	mm	in	mm			in/s	mm/s	in/h	mm/h	lbs	N
HMPD3405-3	250	1,112	3	76	11.25	285	12Vdc	28	2	50	1,050	26,670	8	35.5
HMPD3405-6			6	152	14.25	362							10	44.4
HMPD3405-12			12	304	20.25	514							12	53.3
HMPD3405-18			18	457	26.25	666							15	66.7

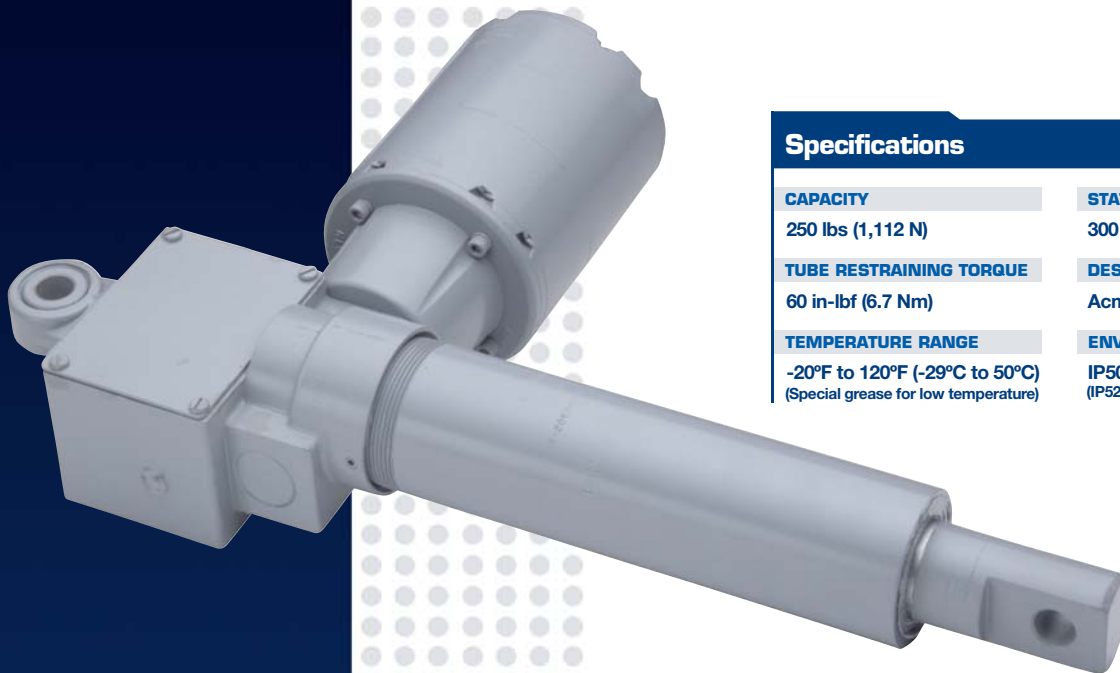
HMPB SERIES

250 lbs

1,112 N

Specifications

CAPACITY	STATIC LOAD
250 lbs (1,112 N)	300 lbs (1,332 N)
TUBE RESTRAINING TORQUE	DESIGN
60 in-lbf (6.7 Nm)	Acme Screw
TEMPERATURE RANGE	ENVIRONMENT
-20°F to 120°F (-29°C to 50°C) (Special grease for low temperature)	IP50 Protection standard (IP52 optional)

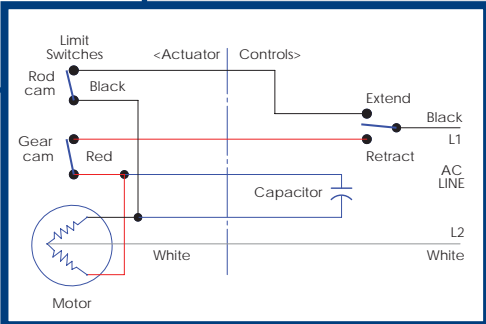
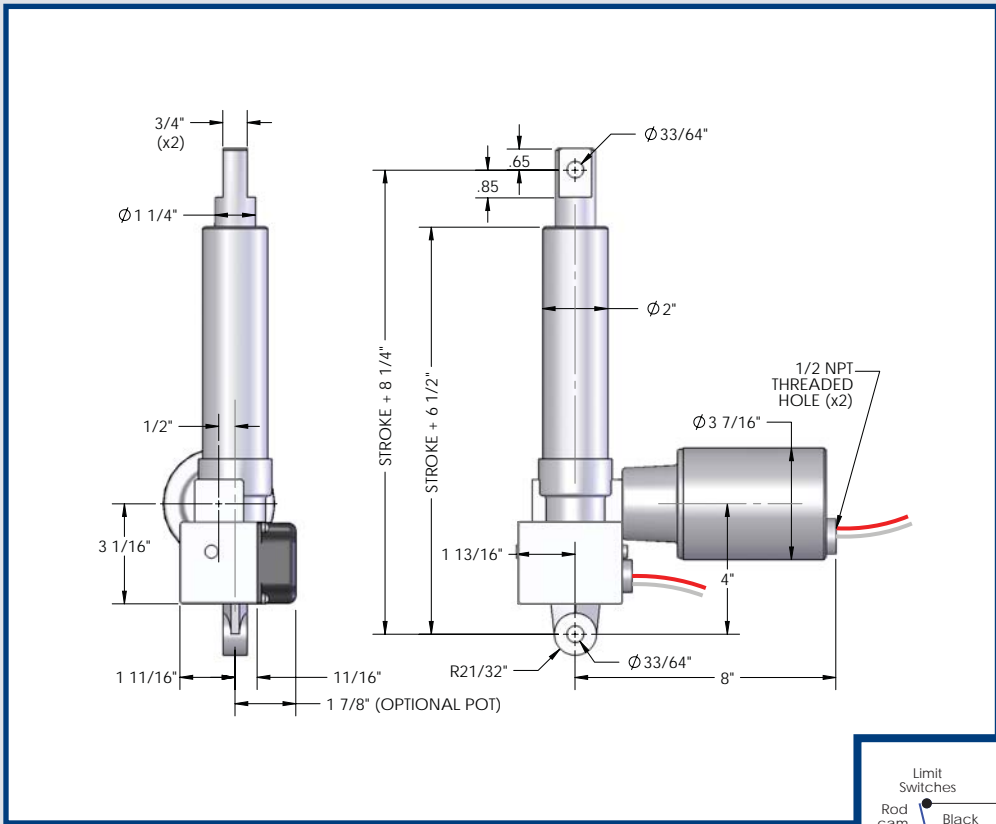


Features & Benefits

- Heavy duty design for long life in tough applications
- Aluminum housing and outer tube
- Steel translating tube – zinc chromate plated
- Double clevis mounting
- Bi-directional Ball Type Brake
- Internal adjustable limit switches
- Automatic reset thermal overload motor protection

Options

- Weather Resistant Sealant – IP52 (add “W” prefi x)
- Potentiometer (add “P” prefi x)
- Capacitor (see table)
- Bellows Boot



HMPB Linear Actuator with limit switch - 250 lb (1,112 N) Capacity

PRODUCT INFORMATION	Part Number	Rated Load		Stroke Length		Retracted Length		Voltage	Current Draw at Rated Load (A)	Speed at Rated Load		Potentiometer	Duty Cycle at Rated Load		Weight	
		lbs	N	in	mm	in	mm			in/s	mm/s		in/h	mm/h	lbs	N
	HMPB3905-3	250	1,112	3	76	11.25	285	115 Vac (60 Hz)	5	1.4	35.5	No	500	12,700	11	48.9
HMPB3905-6	6			152	14.25	362	13								57.8	
HMPB3905-12	12			304	20.25	514	16								71.1	
HMPB3905-18	18			457	26.25	666	18								80.0	
PHMPB3905-3	250	1,112	3	76	11.25	285	115 Vac (60 Hz)	5	1.4	35.5	Yes	500	12,700	12	53.3	
PHMPB3905-6			6	152	14.25	362								14	62.2	
PHMPB3905-12			12	304	20.25	514								17	75.6	
PHMPB3905-18			18	457	26.25	666								19	84.5	

Note: For all AC motors, a capacitor is required. The capacitor can be supplied by the customer or by Duff-Norton.