

LSPD SERIES

1,500 lbs

6,672 N

Specifications

CAPACITY

1,500 lbs (6,672 N)

STATIC LOAD

2,000 lbs (8,896 N)

TUBE RESTRAINING TORQUE

215 in-lbf (24.2 Nm)

DESIGN

Acme Screw

TEMPERATURE RANGE

15°F to 120°F (-10°C to 50°C)

ENVIRONMENT

IP50 Protection standard

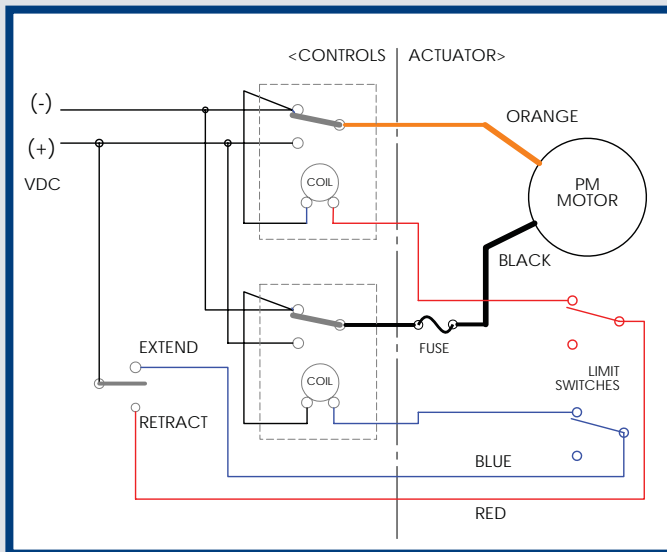
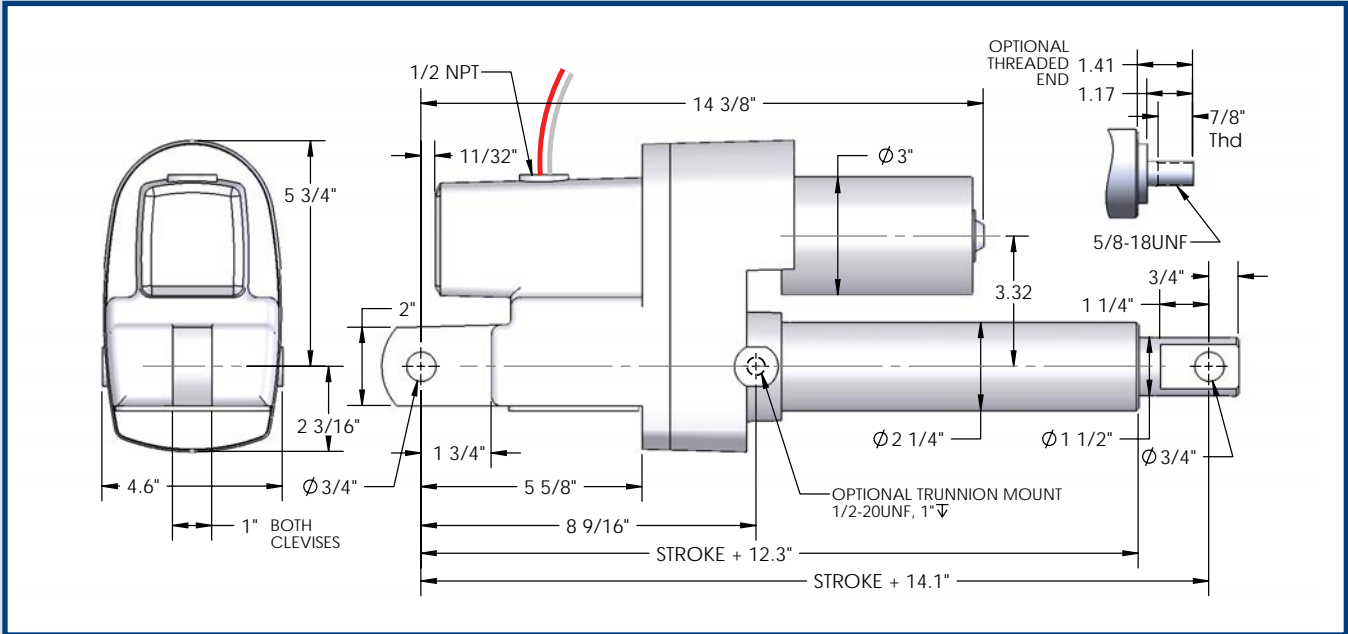


Features & Benefits

- Heavy duty design for long life in tough applications
- Bi-directional spring type brake
- Aluminum housing and outer tube
- Steel translating tube – zinc chromate plated
- Double clevis mounting
- Internal adjustable limit switches

Options

- Potentiometer (add “P” prefix)
- Weather Resistant Sealant – IP52 (add “W” prefix)
- Bellows Boot
- Trunnion Mounting (add “R” prefix)
- Thread end (add “T” prefix)



Note:

(2) relays are required for DC limit switch models

LSPD Linear Actuator 1,500 lb (6,672 N) Capacity															
Part Number	Rated Load		Stroke Length		Retracted Length		Voltage	Current Draw at Rated Load (A)	Speed at Rated Load		Limit Switch	Duty Cycle at Rated Load		Weight	
	lbs	N	in	mm	in	mm			in/s	mm/s		in/h	mm/h	lbs	N
LSPD6415-3	1,500	6,672	3	76.2	17.1	434.3	12 Vdc	27	0.43	10.9	Yes	410	10,414	29	128.9
LSPD6415-6			6	152.4	20.1	510.5								31	137.8
LSPD6415-12			12	304.8	26.1	662.9								33	146.7
LSPD6415-18			18	457.2	32.1	815.3								35	155.6
LSPD6415-24			24	609.6	38.1	967.7								37	164.5

Clutch models are available upon request