

SPA SERIES

1,500 lbs

6,672 N

Specifications

CAPACITY

1,500 lbs (6,672 N)

STATIC LOAD

2,000 lbs (8,896 N)

TUBE RESTRAINING TORQUE

215 in-lbf (24.2 Nm)

DESIGN

Acme Screw

TEMPERATURE RANGE

15°F to 120°F (-10°C to 50°C)

ENVIRONMENT

IP50 Protection standard

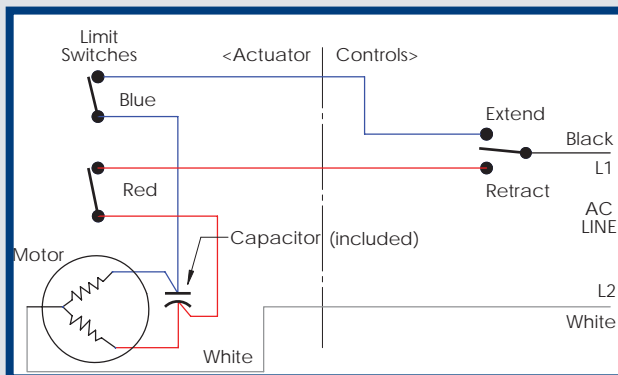
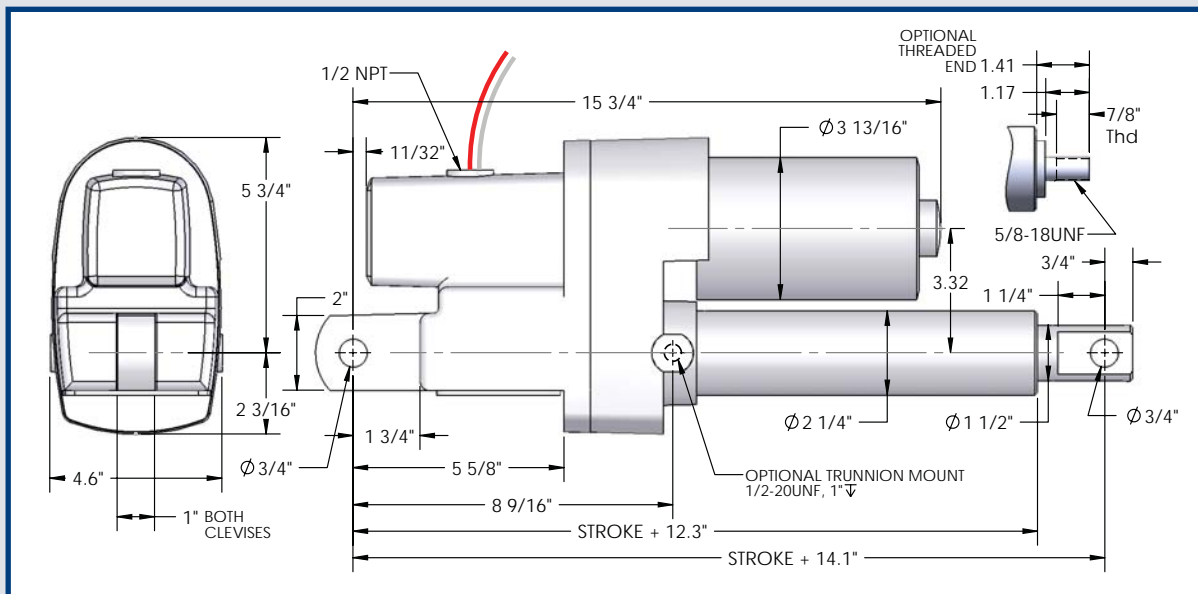


Features & Benefits

- Heavy duty design for long life in tough applications
- Built in capacitor included
- Bi-directional spring type brake
- Aluminum housing and outer tube
- Steel translating tube – zinc chromate plated
- Double clevis mounting
- Internal adjustable limit switches
- Automatic reset thermal overload motor protection

Options

- Potentiometer Feedback
- Weather Resistant Sealant – IP52 (add “W” prefix)
- Bellows Boot
- Trunnion Mounting (add “R” prefix)
- Thread end (add “T” prefix)



SPA Series - 1,500 lb (6,672 N) Capacity

PRODUCT INFORMATION

Part Number	Rated Load lbs (N)		Stroke Length		Retracted Length		Voltage	Current Draw at Rated Load (A)	Speed at Rated Load		Limit Switch	Potentiometer	Duty Cycle at Rated Load		Weight	
	lbs	N	in	mm	in	mm			in/s	mm/s			in/h	mm/h	lbs	N
SPA6415-3	1,500	6,672	3	76.2	17.1	434.3	115 Vac (60 Hz)	6.5	0.83	21.0	Yes	No	500	12,700	31	137.8
SPA6415-6			6	152.4	20.1	510.5									33	146.7
SPA6415-12			12	304.8	26.1	662.9									35	155.6
SPA6415-18			18	457.2	32.1	815.3									37	164.5
SPA6415-24			24	609.6	38.1	967.7									39	173.4
PSPA6415-3	1,500	6,672	3	76.2	17.1	434.3	115 Vac (60 Hz)	6.5	0.83	21.0	Yes	Yes	500	12,700	31	137.8
PSPA6415-6			6	152.4	20.1	510.5									33	146.7
PSPA6415-12			12	304.8	26.1	662.9									35	155.6
PSPA6415-18			18	457.2	32.1	815.3									37	164.5
PSPA6415-24			24	609.6	38.1	967.7									39	173.4
SPA7415-3	1,500	6,672	3	76.2	17.1	434.3	220 Vac (50 Hz)	2	0.68	17.2	Yes	No	600	15,240	31	137.8
SPA7415-6			6	152.4	20.1	510.5									33	146.7
SPA7415-12			12	304.8	26.1	662.9									35	155.6
SPA7415-18			18	457.2	32.1	815.3									37	164.5
SPA7415-24			24	609.6	38.1	967.7									39	173.4
PSPA7415-3	1,500	6,672	3	76.2	17.1	434.3	220 Vac (50 Hz)	2	0.68	17.2	Yes	Yes	600	15,240	31	137.8
PSPA7415-6			6	152.4	20.1	510.5									33	146.7
PSPA7415-12			12	304.8	26.1	662.9									35	155.6
PSPA7415-18			18	457.2	32.1	815.3									37	164.5
PSPA7415-24			24	609.6	38.1	967.7									39	173.4

SPA SERIES

2,000 lbs

8,896 N

Specifications

CAPACITY

2,000 lbs (8,896 N)

STATIC LOAD

2,000 lbs (8,896 N)

TUBE RESTRAINING TORQUE

180 in-lbf (20.3 Nm)

DESIGN

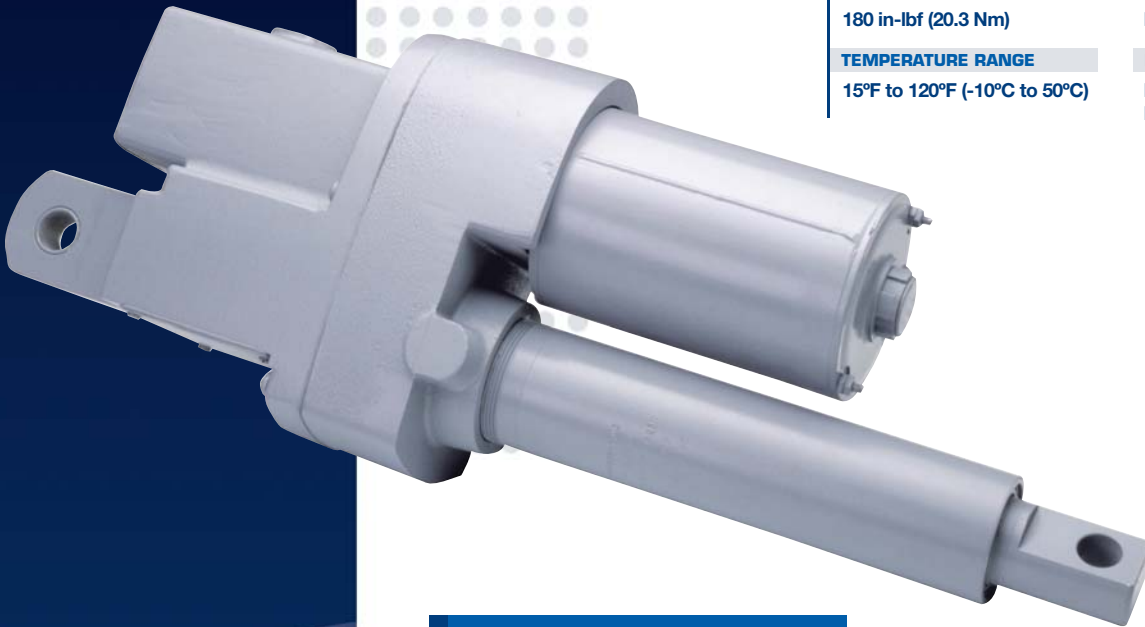
Ball Screw Drive

TEMPERATURE RANGE

15°F to 120°F (-10°C to 50°C)

ENVIRONMENT

IP50 Protection standard
IP52 Optional

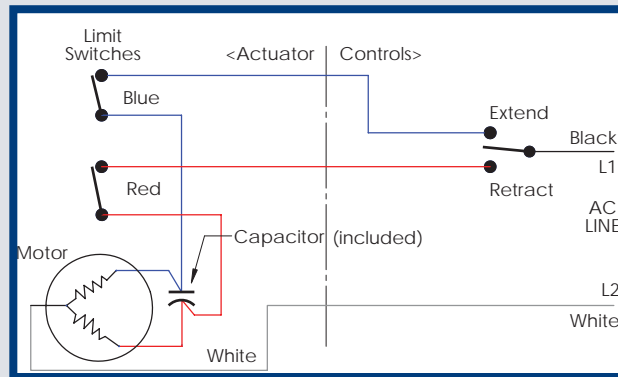
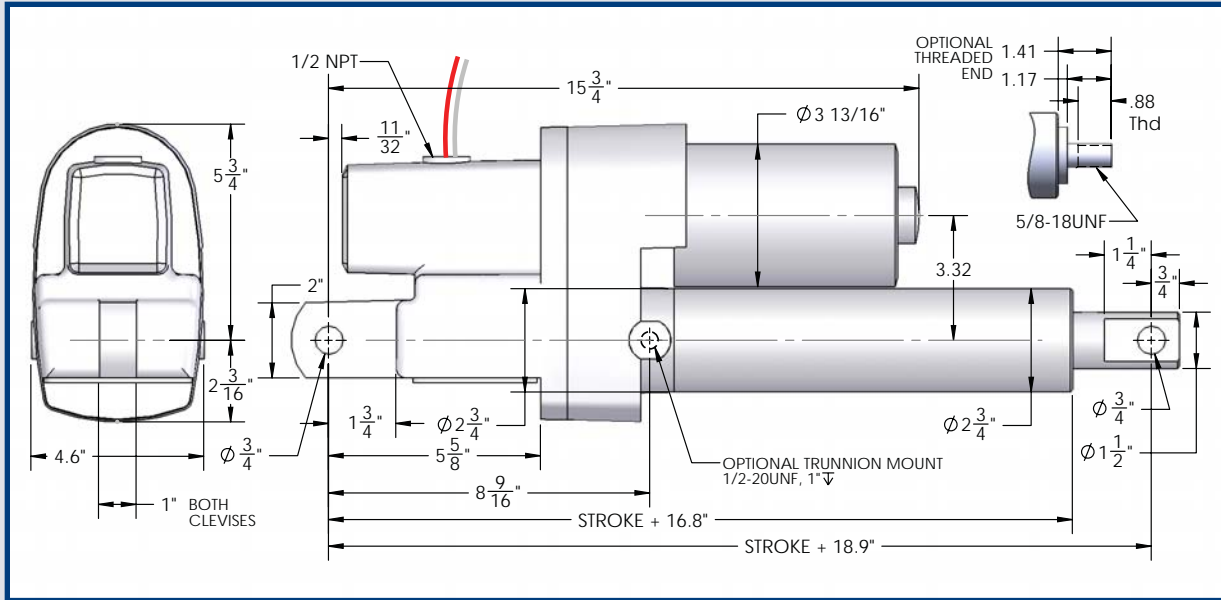


Features & Benefits

- Heavy duty design for long life in tough applications
- Built in capacitor included
- Automatic set spring type brake
- Aluminum housing and outer tube
- Steel translating tube – steel zinc chromate plated
- Double clevis mounting
- Internal adjustable limit switches

Options

- Weather Resistant Sealant – IP52 (add “W” prefix)
- Bellows Boot
- Trunnion Mounting (add “R” prefix)
- Potentiometer Feedback
- Thread end (add “T” prefix)



SPA Series 2,000 lb (8,896 N) Capacity

PRODUCT INFORMATION

Part Number	Rated Load lbs (N)		Stroke Length		Retracted Length		Voltage	Current Draw at Rated Load (A)	Speed at Rated Load		Limit Switch	Duty Cycle at Rated Load		Weight	
	lbs	N	in	mm	in	mm			in/s	mm/s		in/h	mm/h	lbs	N
SPA6420-3	2,000	8,896	3	76.2	21.9	556.2	115Vac (60 Hz)	5.1	0.86	21.8	Yes	600	15,240	31	787.4
SPA6420-6			6	152.4	24.9	632.4								33	146.7
SPA6420-12			12	304.8	30.9	784.8								35	155.6
SPA6420-18			18	457.2	36.9	937.2								37	164.5
SPA6420-24			24	609.6	42.9	1089.6								39	990.6
PSPA6420-3	2,000	8,896	3	76.2	21.9	556.2	115Vac (60 Hz)	5.1	0.86	21.8	Yes	600	15,240	31	787.4
PSPA6420-6			6	152.4	24.9	632.4								33	146.7
PSPA6420-12			12	304.8	30.9	784.8								35	155.6
PSPA6420-18			18	457.2	36.9	937.2								37	164.5
PSPA6420-24			24	609.6	42.9	1089.6								39	990.6
SPA7420-3	2,000	8,896	3	76.2	21.9	556.2	220 Vac (50 Hz)	2	0.68	17.2	Yes	630	16,002	31	787.4
SPA7420-6			6	152.4	24.9	632.4								33	146.7
SPA7420-12			12	304.8	30.9	784.8								35	155.6
SPA7420-18			18	457.2	36.9	937.2								37	164.5
SPA7420-24			24	609.6	42.9	1089.6								39	990.6

Contact factory for potentiometer models