

# SERIES LS

450 to 675 lbs (2000 to 3000 N)

SPEED: 0.15 to 0.26 in/s (3.8 to 6.6 mm/s)

VOLTAGE: 12 VDC or 115 VAC

STROKES: 4, 8, 12, and 24 in  
(101, 203, 304, and 609 mm)

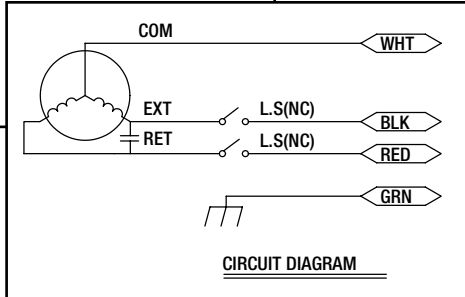
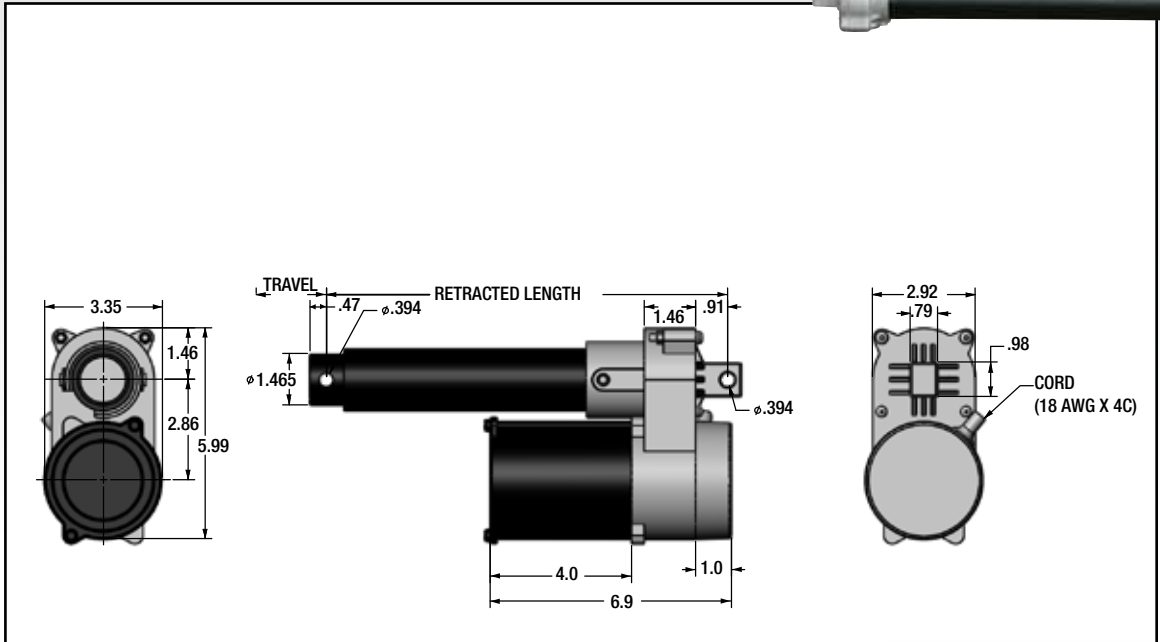


## FEATURES & BENEFITS

- Loading: tension (pull) or compression (push) at rated load
- AC motor thermal protection to prevent over heating
- Internal limit switches - adjustable
- Onboard capacitor for AC models
- Die cast aluminum housing for strength
- Steel translating tube and outer tube
- Self locking acme screw to prevent back driving
- CE compliant and UL recognized
- Custom models available - call for more information



LS 25, 26 & 28



PRODUCT INFORMATION (LS 25, 26 & 28)

Part Number	Rated Load		Stroke		Retracted Length		Voltage	Current Draw at Rated Load (A)	Speed		Duty Cycle at Rated Load	Shipping Weight	
	lbs	N	in	mm	in	mm			in/s	mm/s		lbs	kg
LS25-1B5TN-04	450	2000	4	101	11.4	290	115 VAC	1.4	0.26	6.6	17%	9.1	4.1
LS25-1B5TN-08			8	203	15.4	391						9.8	4.4
LS25-1B5TN-12			12	304	19.4	493						10.6	4.8
LS26-1B5TN-04	560	2491	4	101	11.4	290	115 VAC	1.4	0.21	5.3	17%	9.1	4.1
LS26-1B5TN-08			8	203	15.4	391						9.8	4.4
LS26-1B5TN-12			12	304	19.4	493						10.6	4.8
LS28-1B5TN-04	675	3002	4	101	11.4	290	115 VAC	1.4	0.15	3.8	17%	9.1	4.1
LS28-1B5TN-08			8	203	15.4	391						9.8	4.4
LS28-1B5TN-12			12	304	19.4	493						10.6	4.8

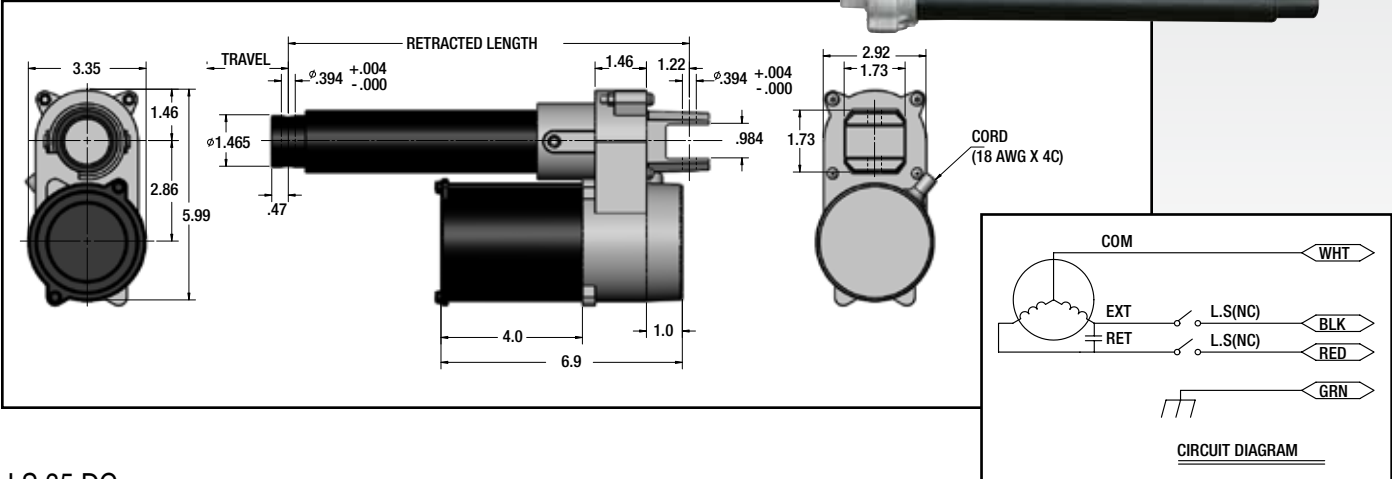
# SERIES

## LS

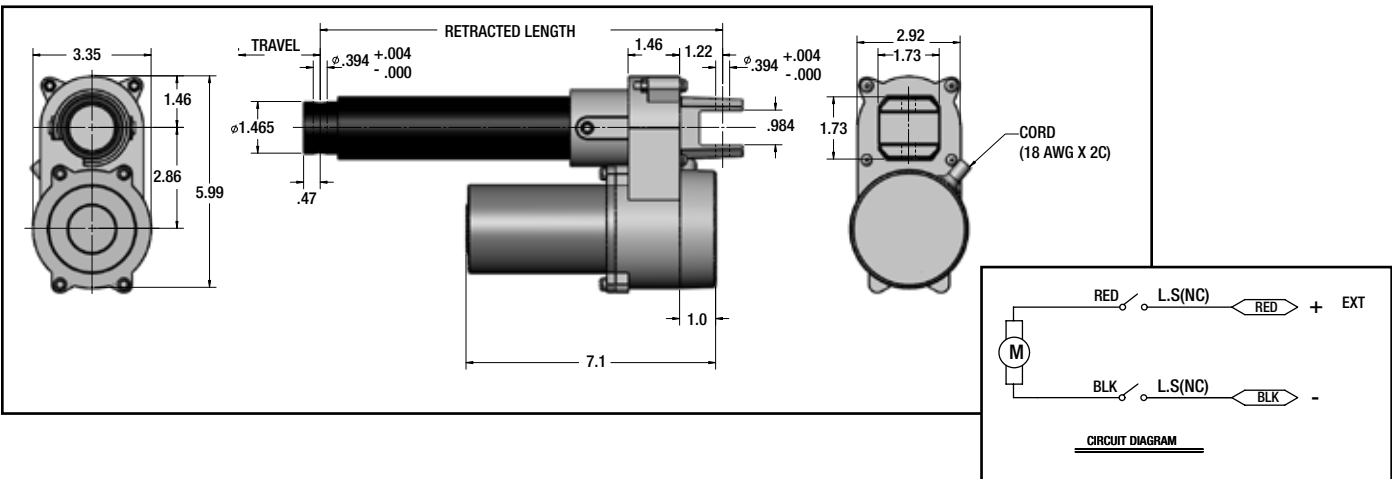
450 to 675 lbs (2000 to 3000 N)



LS 35 AC



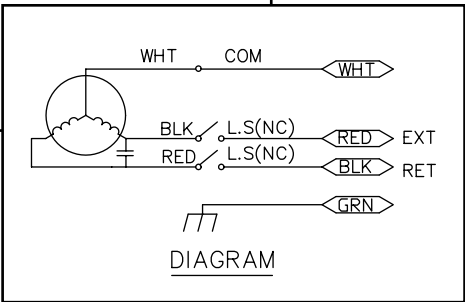
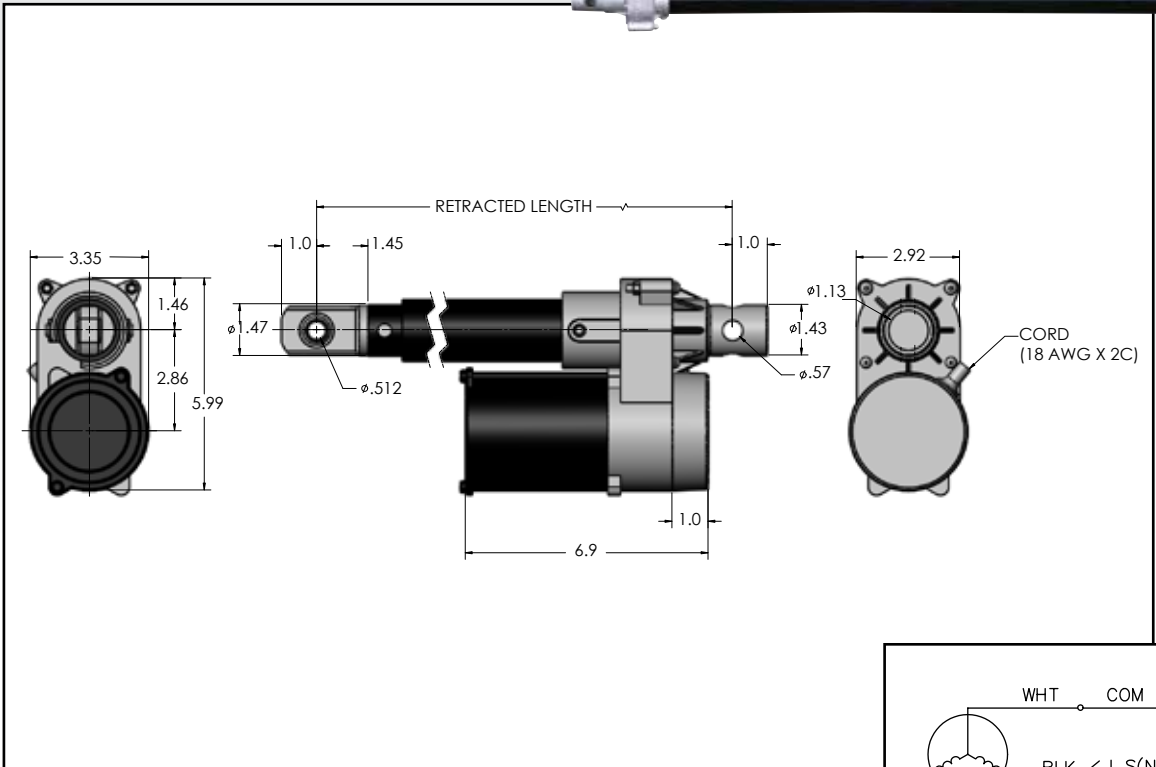
LS 35 DC



### PRODUCT INFORMATION (LS 35)

Part Number	Rated Load		Stroke		Retracted Length		Voltage	Current Draw at Rated Load (A)	Speed		Duty Cycle at Rated Load	Shipping Weight	
	lbs	N	in	mm	in	mm			in/s	mm/s		lbs	kg
LS35-3B4TN-12	675	3002	12	304	19.4	493	12 VDC	10	0.21	5.3	17%	8.6	3.9
LS35-3B4TN-24			24	609	31.4	797	12 VDC	10	0.21	5.3		10.8	4.9
LS35-1B4TN-12			12	304	19.4	493	115 VAC	1.6	0.26	6.6		10.6	4.8
LS35-1B4TN-24			24	609	31.4	797	115 VAC	1.6	0.26	6.6		12.8	5.8

LS 48



PRODUCT INFORMATION (LS 48)

Part Number	Rated Load		Stroke		Retracted Length		Voltage	Current Draw at Rated Load (A)	Speed		Duty Cycle at Rated Load	Shipping Weight	
	lbs	N	in	mm	in	mm			in/s	mm/s		lbs	kg
LS48-S001	660	2935	24	609	38.8	984	115 VAC	1.4	0.15	3.8	17%	21.6	9.8

