

# SERIES LT

27 to 225 lbs (120 to 1000 N)

VOLTAGE:	12 or 24 VDC
STROKES:	2 to 11.8 in (50 to 300 mm)
TEMPERATURE RANGE:	-13°F to 150°F (-25°C to 65°C)
ENVIRONMENT:	IP66 protection



## FEATURES & BENEFITS

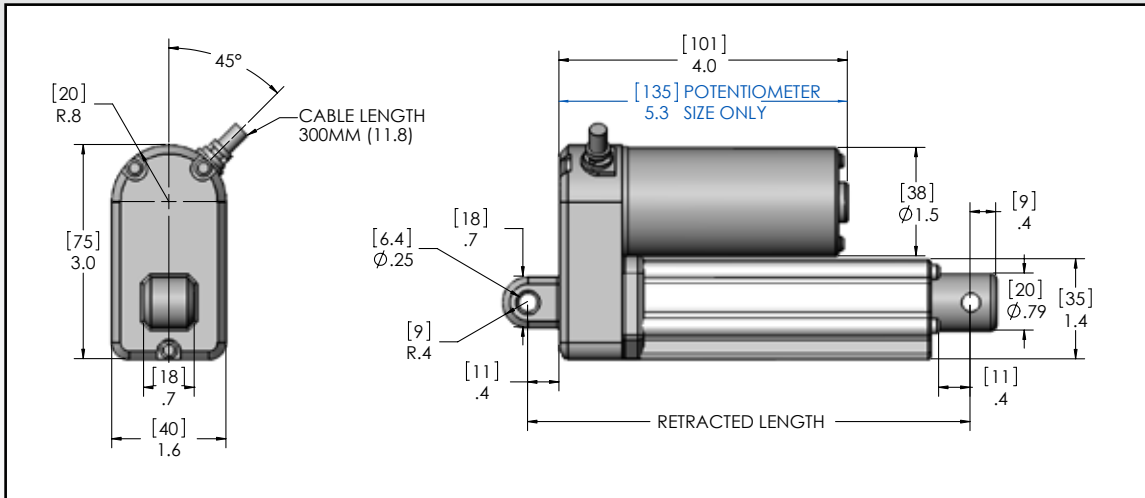
- Limit switches - internal, factory preset
- Zinc die cast housing for strength
- Aluminum outer tube for corrosion resistance
- Keyed translating tube to prevent rotation
- Polished aluminum translating tube for smooth operation
- Warranty - 1 year, parts and labor
- Gear driven

## OPTIONS

- Potentiometer, Hall effect, reed or optical feedback
- Signal sending limit switch
- Third limit switch
- Stainless steel translating tube
- Custom cable lengths
- Wired or wireless handsets
- AC power supply for multiple actuators
- AC controller for synchronous operation
- Custom design models

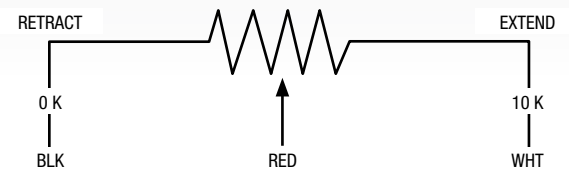


## DIMENSIONS



## POTENTIOMETER / HALL EFFECT SENSOR DIMENSIONS

Stroke Length	50 mm	100 mm	150 mm	200 mm	250 mm	300 mm
	1.9 in	3.9 in	5.9 in	7.9 in	7.9 in	11.8 in
Retracted Length mm (in)	189 (7.4)	239 (9.4)	289 (11.4)	341 (13.4)	391 (15.4)	441 (17.4)
Extended Length mm (in)	239 (9.4)	339 (13.3)	439 (17.3)	541 (21.3)	641 (25.2)	741 (29.2)



Potentiometer Stroke mm (in)	50 (1.97)	100 (3.94)	150 (5.91)	200 (7.87)	250 (9.84)	300 (11.81)
POT Travel (% of 10K)	47%	50%	71%	94%	39%	47%

## PRODUCT INFORMATION

Part Number	Rated Load Lbs (N)	Stroke Lengths		Retracted Length		Voltage VDC	Current Draw at Rated Load amp	Lifting Speed at Rated Load		Limit Switch	Duty Cycle at Rated Load
		in	mm	in	mm			in/s	mm/s		
LT25-*-50	27 lbs (120 N)	2	50	6.1	155	12 or 24	2.5 (12 VDC) 1.5 (24 VDC)	1.3	33	Yes	20%
LT25-*-100		4	100	8	205						
LT25-*-150		5.9	150	10	255						
LT25-*-200		7.9	200	12	307						
LT25-*-250		9.8	250	14	357						
LT25-*-300	11.8	300	16	407							
LT50-*-50	54 lbs (240 N)	2	50	6.1	155	12 or 24	3.5 (12 VDC) 2.0 (24 VDC)	0.9	23	Yes	20%
LT50-*-100		4	100	8	205						
LT50-*-150		5.9	150	10	255						
LT50-*-200		7.9	200	12	307						
LT50-*-250		9.8	250	14	357						
LT50-*-300	11.8	300	16	407							
LT100-*-50	112 lbs (500 N)	2	50	6.1	155	12 or 24	3.5 (12 VDC) 2.0 (24 VDC)	0.5	12	Yes	20%
LT100-*-100		4	100	8	205						
LT100-*-150		5.9	150	10	255						
LT100-*-200		7.9	200	12	307						
LT100-*-250		9.8	250	14	357						
LT100-*-300	11.8	300	16	407							
LT150-*-50	169 lbs (750 N)	2	50	6.1	155	12 or 24	3.5 (12 VDC) 2.0 (24 VDC)	0.3	8	Yes	20%
LT150-*-100		4	100	8	205						
LT150-*-150		5.9	150	10	255						
LT150-*-200		7.9	200	12	307						
LT150-*-250		9.8	250	14	357						
LT150-*-300	11.8	300	16	407							
LT225-*-50	225 lbs (1000 N)	2	50	6.1	155	12 or 24	3.5 (12 VDC) 2.0 (24 VDC)	0.2	6	Yes	20%
LT225-*-100		4	100	8	205						
LT225-*-150		5.9	150	10	255						
LT225-*-200		7.9	200	12	307						
LT225-*-250		9.8	250	14	357						
LT225-*-300	11.8	300	16	407							

\*Voltage: 1=12 VDC and 2=24 VDC

Contact factory for potentiometer models